

TTG 2200A
TTG 2200A F



Spare Parts List

TIG Manual welding torch



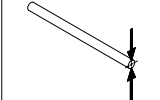
4,035,713 **TTG2200A F / 4m / 13,1ft**
4,035,714 **TTG2200A F / 8m / 26,2ft**

4,035,709 **TTG2200A F / UD / 4m / 13,1ft**
4,035,712 **TTG2200A F / UD / 8m / 26,2ft**

4,035,731 **TTG2200A F / JM / Le / 4m / 13,1ft**
4,035,734 **TTG2200A F / JM / Le / 8m / 26,2ft**

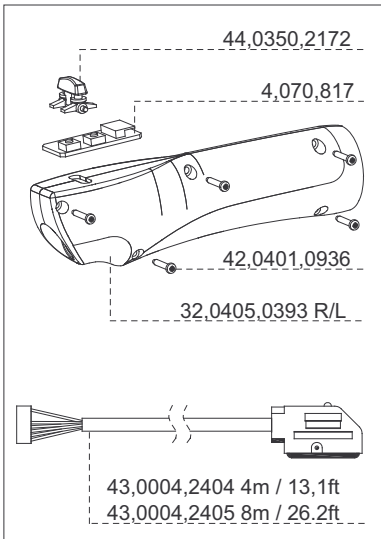
4,035,717 **TTG2200A F/F / UD / 4m / 13,1ft**
4,035,718 **TTG2200A F/F / UD / 8m / 26,2ft**

4,035,735 **TTG2200A F / F / JM / Le / 4m / 13,1ft**
4,035,741 **TTG2200A F / F / JM / Le / 8m / 26,2ft**

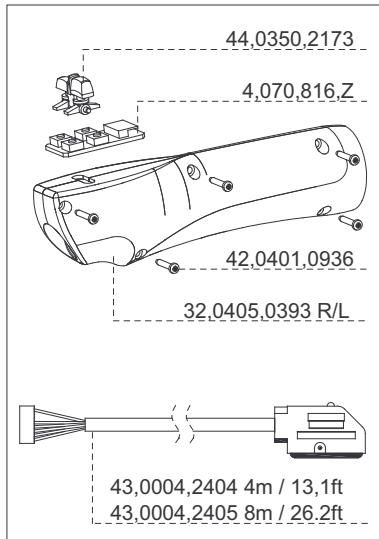
	Ø mm	Ø inch
	1,0-4,0	0,039-0,157



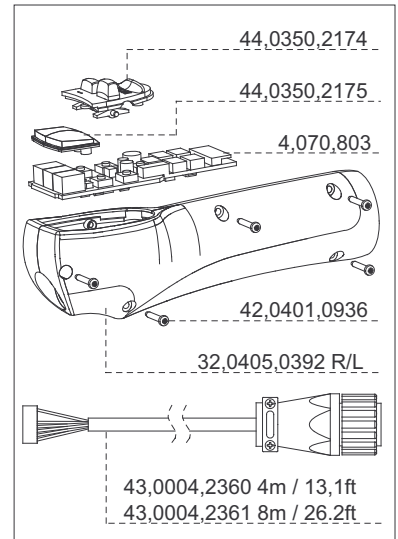
STANDARD



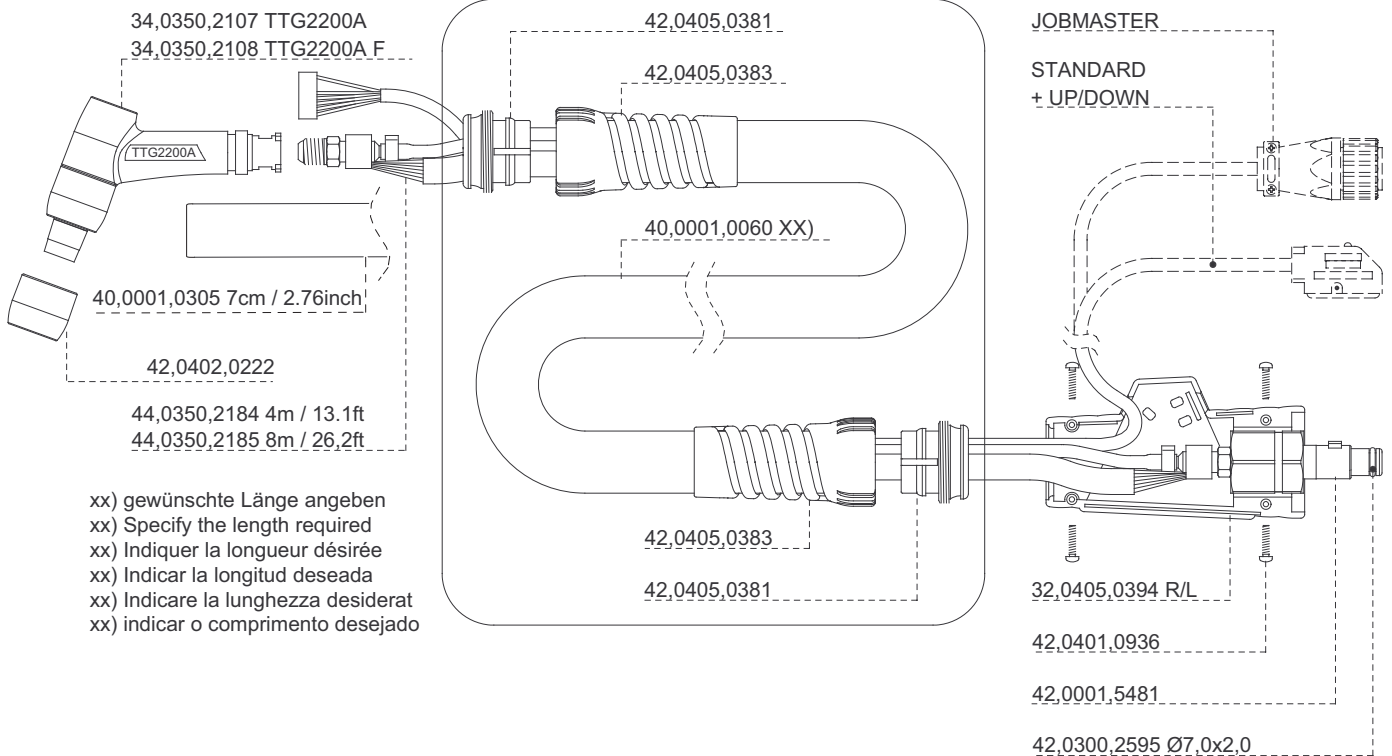
UP/DOWN



JOBMASTER

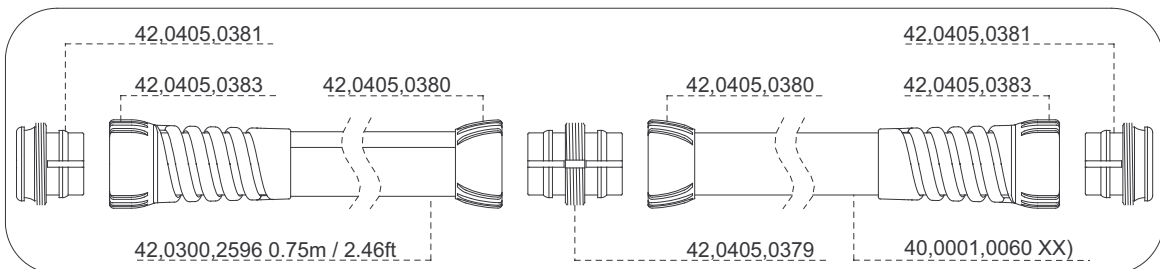


44.0350.2176 4m / 13,1ft / 44.0350.2177 8m / 26,2ft



xx) gewünschte Länge angeben
xx) Specify the length required
xx) Indiquer la longueur désirée
xx) Indicar la longitud deseada
xx) Indicare la lunghezza desiderat
xx) indicar o comprimento desejado

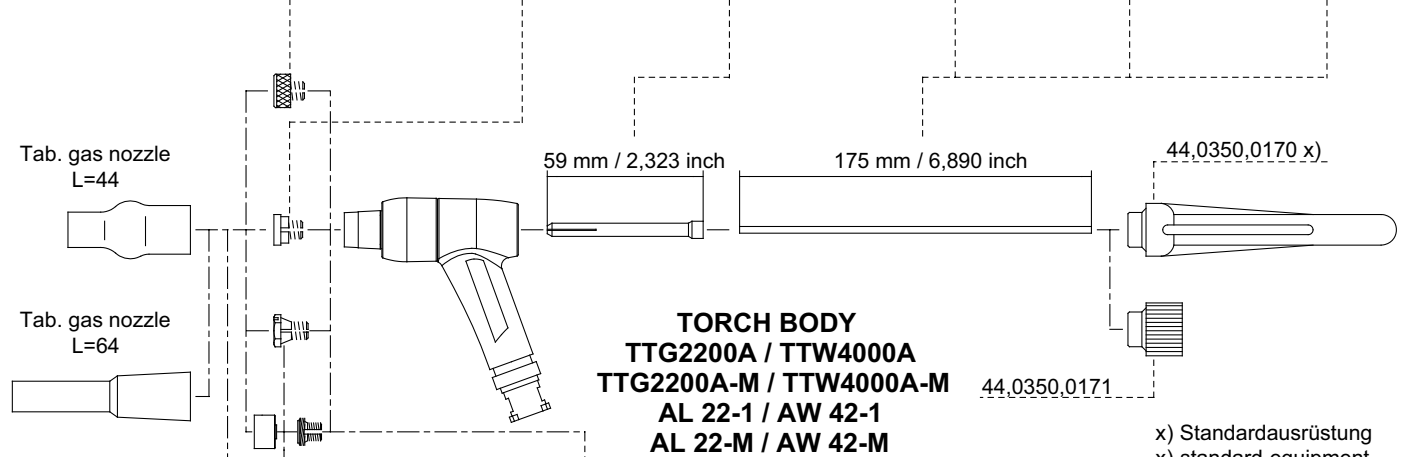
OPTION - Leder / Leather / Cuir
44.0350.2180 4m / 13,1ft / 44.0350.2181 8m / 26,2ft



TTG2200AF/UD/JM/Le, TTG2200AF F/JM/Le

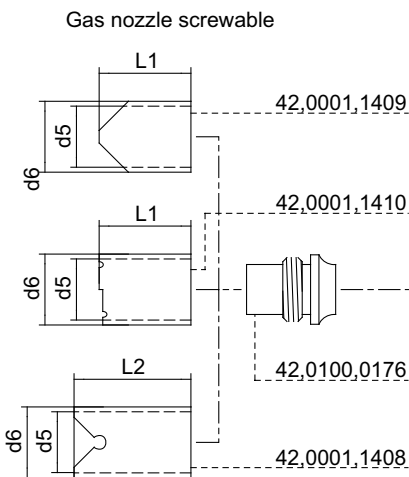
Ersatzteilliste / Spare parts list / Listes de pièces de rechange / Lista de repuestos / Lista de peças sobresselentes / Lista dei Ricambi

Electrode Ø		Part No. gas lens	Part No. clamping nut	Part No. collet	Part No. electrode WC20	Part No. electrode WP	Part No. electrode WS2
Ø mm	Ø inch						
1,0	.039	44,0350,1500	42,0001,0692	42,0001,0697	42,0411,4012		
1,6	.063	44,0350,1501	42,0001,0693	42,0001,0698	42,0411,4001	42,0411,4008	42,0411,0161
2,4	.094	44,0350,1460	42,0001,0694 x)	42,0001,0699 x)	42,0411,4002 x)	42,0411,4005	42,0411,0162
3,2	.126	44,0350,1461	42,0001,0695	42,0001,0700	42,0411,4003	42,0411,4006	42,0411,0163
4,0	.157		42,0001,0696	42,0001,0701	42,0411,4013	42,0411,4007	42,0411,0164
4,8	.189				42,0411,4014	42,0411,4009	42,0411,0165



TORCH BODY
TTG2200A / TTW4000A
TTG2200A-M / TTW4000A-M
AL 22-1 / AW 42-1
AL 22-M / AW 42-M

- x) Standardausrüstung
- x) standard equipment
- x) équipement standard
- x) equipamiento estándar
- x) accessori standard
- x) equipamento de série



gas nozzle ceramic plugable L=44	d1		d2		Part No.
	mm	inch	mm	inch	
	6,4	.252	21,0	.827	42,0300,0672
	7,9	.3125	21,0	.827	42,0300,0461
	9,5	.374	21,0	.827	42,0300,0462 x)
	11,1	.437	21,0	.827	42,0300,0463
	12,7	.500	21,0	.827	42,0300,0464
	14,3	.563	21,0	.827	42,0300,0465
	15,9	.626	21,0	.827	42,0300,0466
	18,0	.709	23,0	.906	42,0300,0467

TTG 2200 A-M AL 22-M		TTW 4000 A-M AW 42-M	
Electrode Ø		Part No. gas lens	Part No. clamping nut
Ø mm	Ø inch		
1,0	.039		42,0001,1667
1,6	.063		42,0001,1668
2,4	.094		42,0001,1669
3,2	.126		42,0001,1670
4,0	.157		42,0001,1671
4,8	.189		42,0001,1481
2,4	.094	44,0350,1462	42,0001,2741
3,2	.126	44,0350,1463	42,0001,2742

gas nozzle ceramic plugable L=64	d3		d4		Part No.
	mm	inch	mm	inch	
	6,4	.252	17,5	.689	42,0300,1120
	7,9	.3125	17,5	.689	42,0300,1121
	9,5	.374	17,5	.689	42,0300,1122
	11,1	.437	17,5	.689	42,0300,1123

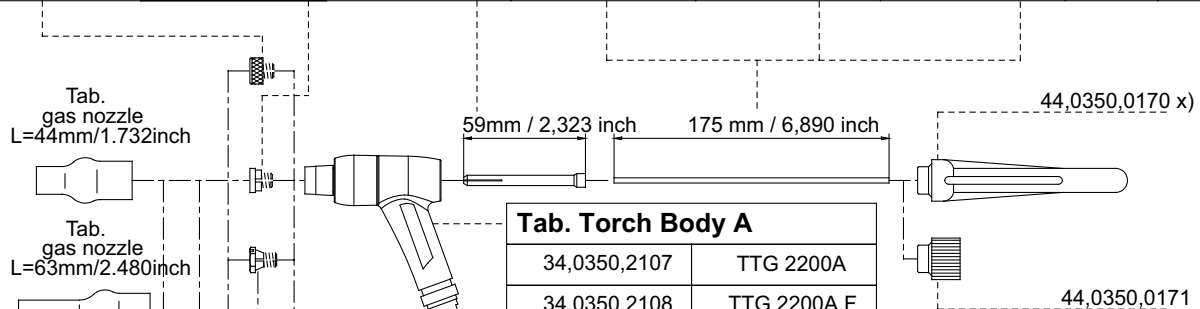
Measurement gas nozzle screwable							
d5		d6		L1		L2	
mm	inch	mm	inch	mm	inch	mm	inch
22	.866	25,5	1,004	33	1,299	42	1,654



TTG2200AF/UD/JM/Le, TTG2200AF/JM/Le

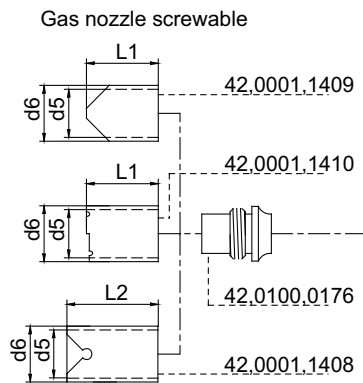
Ersatzteilliste / Spare parts list / Listes de pièces de rechange / Lista de repuestos / Lista de peças sobresselentes / Lista dei Ricambi

Part No. gas lens	Part No. clamping nut	Part No. collet	Part No. electrode WC20	Part No. electrode WP	Part No. electrode WS2	Electrode Ø	
						Ømm	Øinch
44,0350,1500	42,0001,0692	42,0001,0697	42,0411,4012			1,0	.039
44,0350,1501	42,0001,0693	42,0001,0698	42,0411,4001	42,0411,4008	42,0411,0161	1,6	.063
44,0350,1460	42,0001,0694 x)	42,0001,0699 x)	42,0411,4002 x)	42,0411,4005	42,0411,0162	2,4	.094
44,0350,1461	42,0001,0695	42,0001,0700	42,0411,4003	42,0411,4006	42,0411,0163	3,2	.126
	42,0001,0696	42,0001,0701	42,0411,4013	42,0411,4007	42,0411,0164	4,0	.157
			42,0411,4014	42,0411,4009	42,0411,0165	4,8	.189



Tab. Torch Body A	
34,0350,2107	TTG 2200A
34,0350,2108	TTG 2200A,F
44,0350,2229	TTW 2200A,M
34,0350,2116	TTW 4000A
34,0350,2117	TTW 4000A,F
44,0350,2231	TTW 4000A,M

x) Standardausrüstung
 x) standard equipment
 x) équipement standard
 x) equipamiento estándar
 x) accessori standard
 x) equipamento de série



gas nozzle ceramic plugable L=44mm/1.732inch	d1		d2		Part No.
	mm	inch	mm	inch	
	6,35	.250	20,8	.819	42,0300,0672
	8,0	.315	20,8	.819	42,0300,0461
	9,5	.374	20,8	.819	42,0300,0462 x)
	11,1	.437	20,8	.819	42,0300,0463
	12,7	.500	20,8	.819	42,0300,0464
	14,3	.563	20,8	.819	42,0300,0465
	16,0	.630	20,8	.819	42,0300,0466
	18,0	.709	22,8	.898	42,0300,0467

TTG 2200 A-MTW 4000 A-M AL 22-M AW 42-M		
Electrode Ømm Øinch	Part No. gas lens	Part No. clamping nut
1,6 .063		42,0001,1668
2,4 .094		42,0001,1669
3,2 .126		42,0001,1670
4,0 .157		42,0001,1671
4,8 .189		42,0001,1481
2,4 .094	44,0350,1462	42,0001,2741
3,2 .126	44,0350,1463	42,0001,2742

gas nozzle ceramic plugable L=63mm/2.480inch	d3		d4		Part No.
	mm	inch	mm	inch	
	6,35	.250	20,8	.819	42,0300,1120
	8,0	.315	20,8	.819	42,0300,1121
	9,5	.374	20,8	.819	42,0300,1122
	11,1	.437	20,8	.819	42,0300,1123

Measurement gas nozzle screwable							
d5		d6		L1		L2	
mm	inch	mm	inch	mm	inch	mm	inch
22	.866	25,5	1,004	33	1,299	42	1,654



Wearing parts TTG 2200A TTW 4000A F M

Ersatzteilliste / Spare parts list / Listes de pièces de rechange / Lista de repuestos / Lista de peças sobresselentes / Lista dei Ricambi



FRONIUS INTERNATIONAL GMBH

Froniusplatz 1, A-4600 Wels, Austria
Tel: +43 (0)7242 241-0, Fax: +43 (0)7242 241-3940
E-Mail: sales@fronius.com
www.fronius.com

www.fronius.com/addresses

Under <http://www.fronius.com/addresses> you will find all addresses
of our Sales & service partners and Locations.