

TTG 1600A
TTG 1600A F



Spare Parts List

TIG Manual welding torch

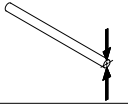


4,035,683 **TTG1600A F / 4m / 13,1ft**
4,035,684 **TTG1600A F / 8m / 26,2ft**

4,035,689 **TTG1600A F / UD / 4m / 13,1ft**
4,035,690 **TTG1600A F / UD / 8m / 26,2ft**

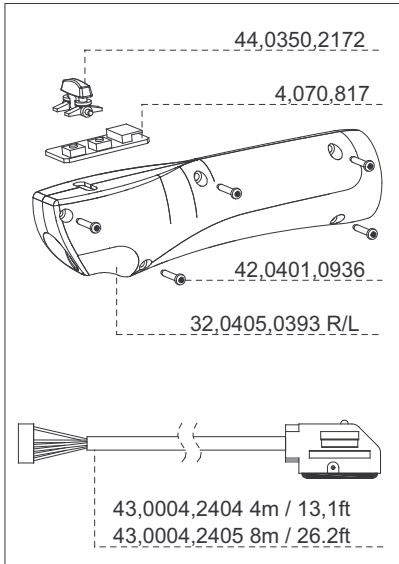
4,035,705 **TTG1600A F / JM / Le / 4m / 13,1ft**
4,035,706 **TTG1600A F / JM / Le / 8m / 26,2ft**

4,035,685 **TTG1600A F/F / UD / 4m / 13,1ft**
4,035,686 **TTG1600A F/F / UD / 8m / 26,2ft**

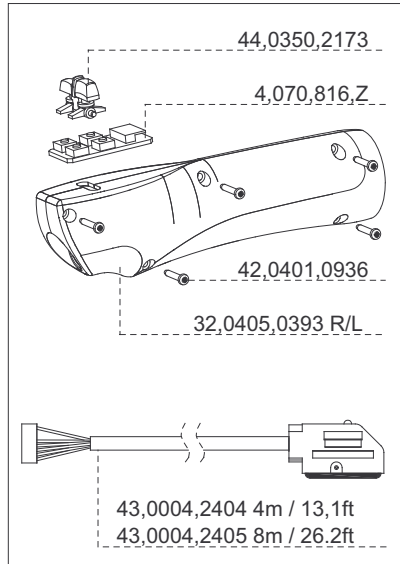
	Ø mm	Ø inch
	1,0-3,2	0,039-0,126



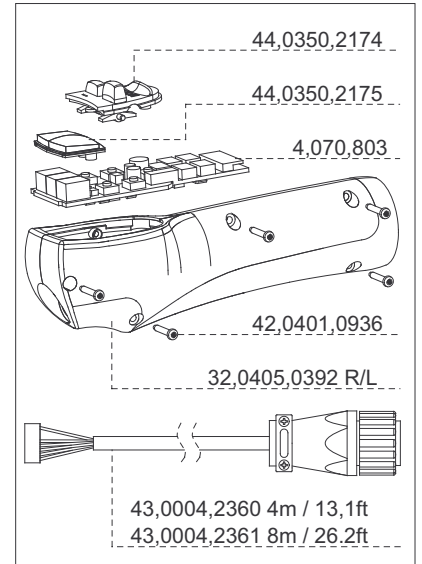
STANDARD



UP/DOWN



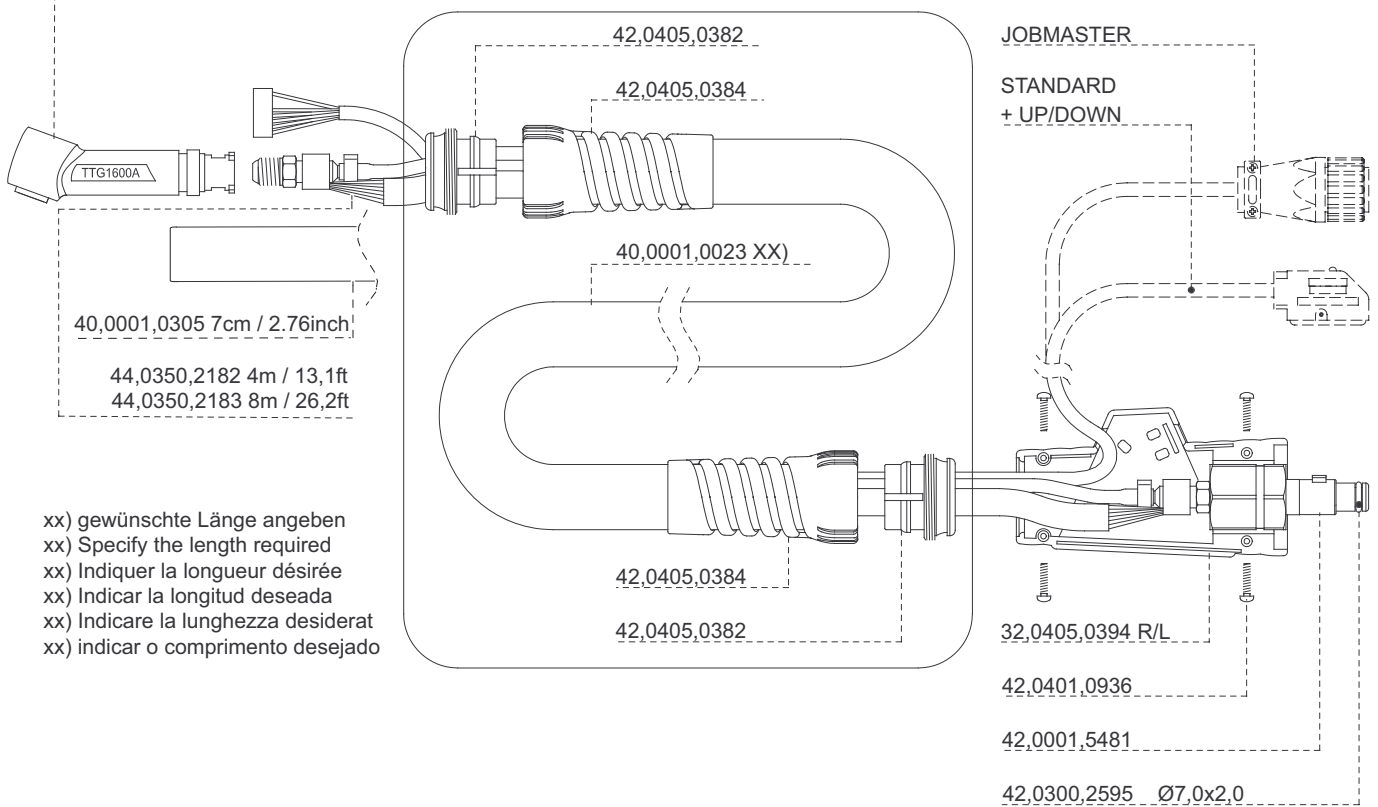
JOBMASTER



34,0350,2105 TTG1600A

34,0350,2106 TTG1600A F

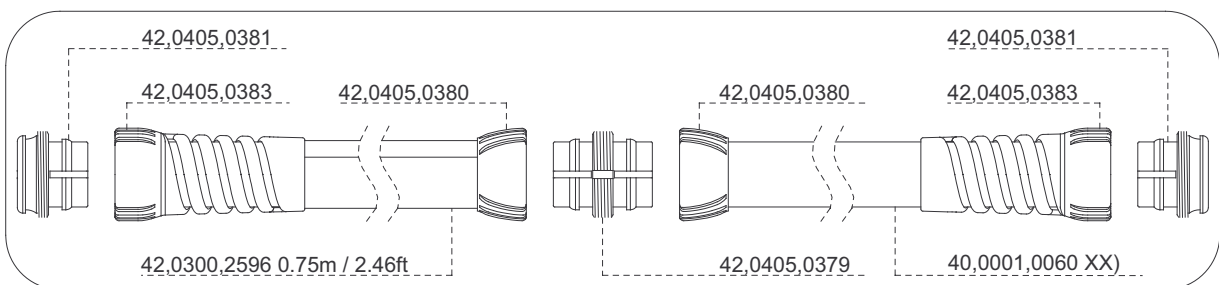
44,0350,2178 4m / 13,1ft / 44,0350,2179 8m / 26,2ft



xx) gewünschte Länge angeben
 xx) Specify the length required
 xx) Indiquer la longueur désirée
 xx) Indicar la longitud deseada
 xx) Indicare la lunghezza desiderat
 xx) indicar o comprimento desejado

OPTION - Leder / Leather / Cuir

44,0350,2180 4m / 13,1ft / 44,0350,2181 8m / 26,2ft

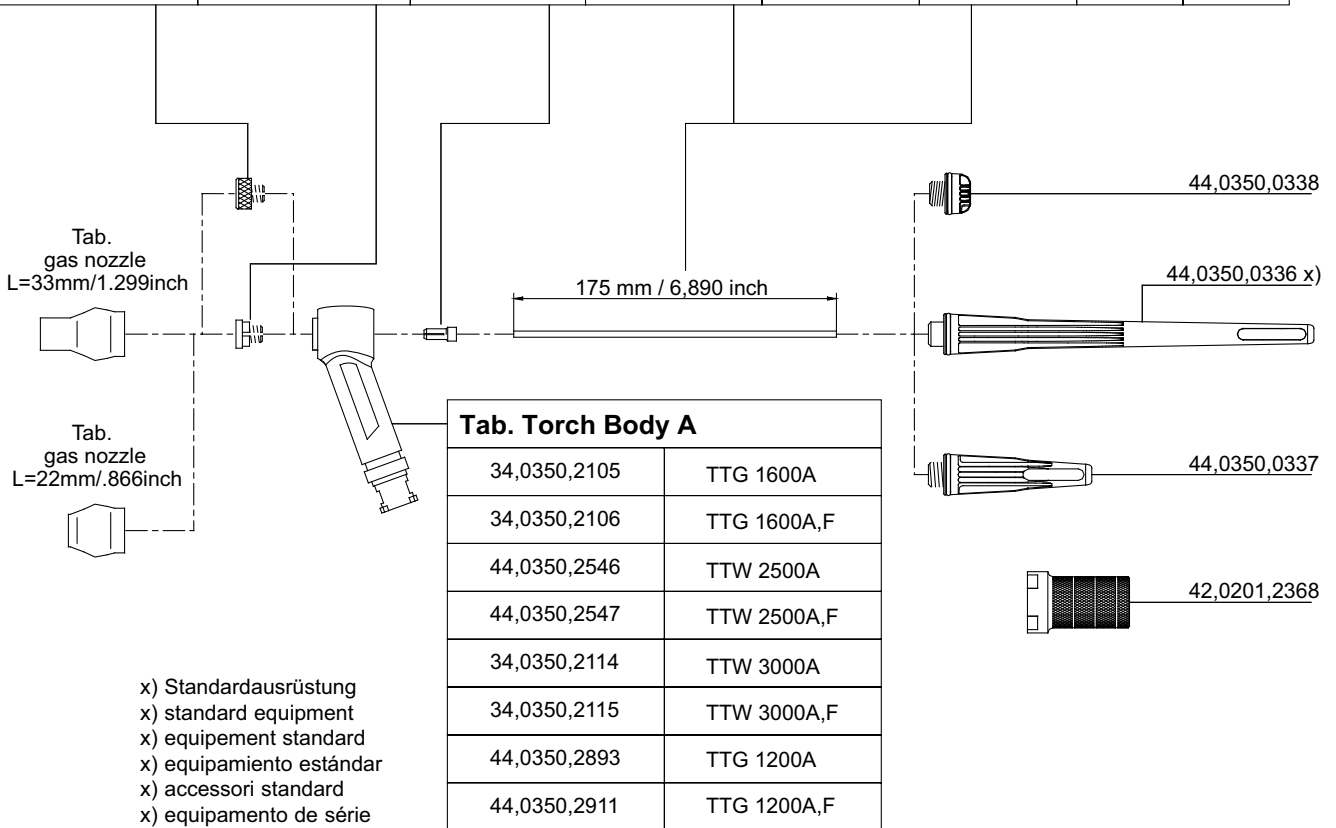


TTG 1600AF/UD/JM/Le, TTG 1600AFF/UD

Ersatzteilliste / Spare parts list / Listes de pièces de rechange / Lista de repuestos / Lista de peças sobresselentes / Lista dei Ricambi

A-System

Part No. gas lens	Part No. clamping nut	Part No. collet	Part No. electrode WC20	Part No. electrode WP	Part No. electrode WS2	Electrode Ø	
						Ø mm	Ø inch
44,0350,1500	42,0001,0692	42,0001,1148	42,0411,4012			1,0	.039
44,0350,1501	42,0001,0693	42,0001,1149	42,0411,4001	42,0411,4008	42,0411,0161	1,6	.063
44,0350,1460	42,0001,0694 x)	42,0001,1150 x)	42,0411,4002 x)	42,0411,4005	42,0411,0162	2,4	.094
44,0350,1461	42,0001,0695	42,0001,1151	42,0411,4003	42,0411,4006	42,0411,0163	3,2	.126



gas nozzle ceramic plugable L=33mm/1.299inch	Part No.	gas nozzle ceramic plugable L=22mm/.866inch	Part No.	d1		d2	
				mm	inch	mm	inch
	42,0300,0820		42,0300,0816	6,35	.250	20,8	.819
	42,0300,0821		42,0300,0817	8,0	.315	20,8	.819
	42,0300,0822 x)		42,0300,0818	9,5	.374	20,8	.819
	42,0300,0823		42,0300,0819	11,1	.437	20,8	.819



Wearing parts TTG 1600 / 1200 TTW 2500 / 3000 A F

Ersatzteilliste / Spare parts list / Listes de pièces de rechange / Lista de repuestos / Lista de peças sobresselentes / Lista dei Ricambi

1/1



FRONIUS INTERNATIONAL GMBH

Froniusplatz 1, A-4600 Wels, Austria
Tel: +43 (0)7242 241-0, Fax: +43 (0)7242 241-3940
E-Mail: sales@fronius.com
www.fronius.com

www.fronius.com/addresses

Under <http://www.fronius.com/addresses> you will find all addresses
of our Sales & service partners and Locations.